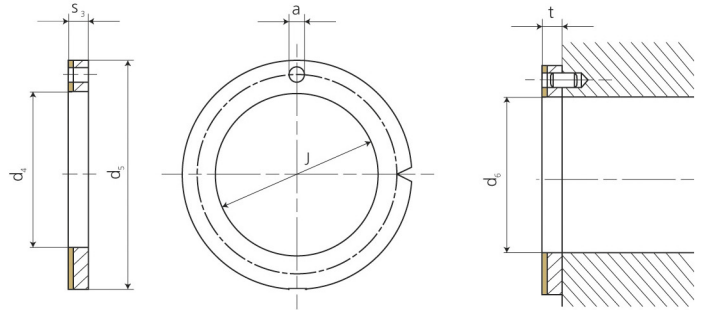
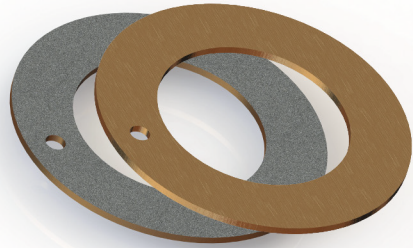


CASQUILHOS METÁLICOS PAW P11

PROGRAMA DE FABRICO



PAW - P11

Referência	Peso g	Medidas					Medidas de montagem	
		$d_4 +0.25$	$d_5 -0.25$	$s_3 -0.05$	$J \pm 0.12$	$a \begin{smallmatrix} +0.4 \\ +0.1 \end{smallmatrix}$	$t \pm 0.2$	$d_6 +0.12$
PAW 10 P11	2.6	10	20	1.5	15	1.5	1	20
PAW 12 P11	3.8	12	24	1.5	18	1.5	1	24
PAW 14 P11	4	14	26	1.5	20	2	1	26
PAW 16 P11	5.5	16	30	1.5	22	2	1	30
PAW 18 P11	6	18	32	1.5	25	2	1	32
PAW 20 P11	8	20	36	1.5	28	3	1	36
PAW 22 P11	8.5	22	38	1.5	30	3	1	38
PAW 26 P11	11.1	26	44	1.5	35	3	1	44
PAW 28 P11	13.3	28	48	1.5	38	4	1	48
PAW 32 P11	16.3	32	54	1.5	43	4	1	54
PAW 38 P11	21	38	62	1.5	50	4	1	62
PAW 42 P11	22.4	42	66	1.5	54	4	1	66
PAW 48 P11	36.8	48	74	2	61	4	1.5	74
PAW 52 P11	38.8	52	78	2	65	4	1.5	78
PAW 62 P11	48.8	62	90	2	76	4	1.5	90