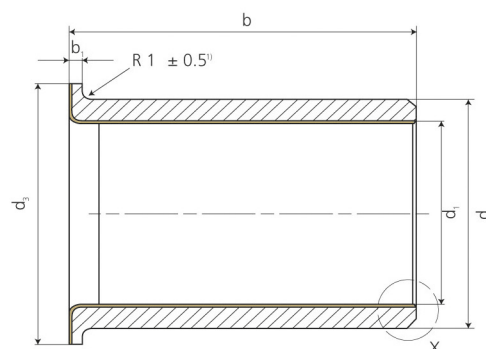
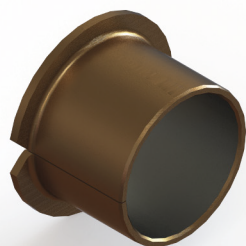


CASQUILHOS METÁLICOS PAF P11

PROGRAMA DE FABRICO



PAF - P11

Diâmetro do veio	Referência	Peso g	Medidas					Medidas de montagem	
			d ₁	d ₂	d ₃ ±0.5	b ±0.25	b ₁ -0.2	f ₁	f ₂
6	PAF 06080 P11	1.7	6	8	12	8	1	0.6 ± 0.4	0.3 ± 0.2
8	PAF 08055 P11	1.7	8	10	15	5.5	1	0.6 ± 0.4	0.3 ± 0.2
8	PAF 08095 P11	2.5	8	10	15	9.5	1	0.6 ± 0.4	0.3 ± 0.2
10	PAF 10070 P11	2.5	10	12	18	7	1	0.6 ± 0.4	0.3 ± 0.2
10	PAF 10120 P11	3.8	10	12	18	12	1	0.6 ± 0.4	0.3 ± 0.2
10	PAF 10170 P11	5.4	10	12	18	17	1	0.6 ± 0.4	0.3 ± 0.2
12	PAF 12070 P11	3	12	14	20	7	1	0.6 ± 0.4	0.3 ± 0.2
12	PAF 12090 P11	3.7	12	14	20	9	1	0.6 ± 0.4	0.3 ± 0.2
12	PAF 12120 P11	4.7	12	14	20	12	1	0.6 ± 0.4	0.3 ± 0.2
15	PAF 15120 P11	5.7	15	17	23	12	1	0.6 ± 0.4	0.3 ± 0.2
15	PAF 15170 P11	7.7	15	17	23	17	1	0.6 ± 0.4	0.3 ± 0.2
16	PAF 16120 P11	6	16	18	24	12	1	0.6 ± 0.4	0.3 ± 0.2
18	PAF 18100 P11	5	18	20	26	10	1	0.6 ± 0.4	0.3 ± 0.2
18	PAF 18220 P11	11.1	18	20	26	22	1	0.6 ± 0.4	0.3 ± 0.2
20	PAF 20115 P11	11.6	20	23	30	11.5	1.5	0.6 ± 0.4	0.4 ± 0.3
20	PAF 20165 P11	15.1	20	23	30	16.5	1.5	0.6 ± 0.4	0.4 ± 0.3
25	PAF 25215 P11	23.9	25	28	35	21.5	1.5	0.6 ± 0.4	0.4 ± 0.3
30	PAF 30160 P11	30.9	30	34	42	16	2	1.2 ± 0.4	0.4 ± 0.3
30	PAF 30260 P11	46.1	30	34	42	26	2	1.2 ± 0.4	0.4 ± 0.3
35	PAF 35260 P11	52.7	35	39	47	26	2	1.2 ± 0.4	0.4 ± 0.3
40	PAF 40260 P11	59	40	44	53	26	2	1.2 ± 0.4	0.4 ± 0.3